

# TECHNICAL DATASHEET



## Sanitär

Washbasin Mixer

Ref. : CASE-WB  
CASE 01 49


## Product Description

### Washbasin Mixer (Brass)

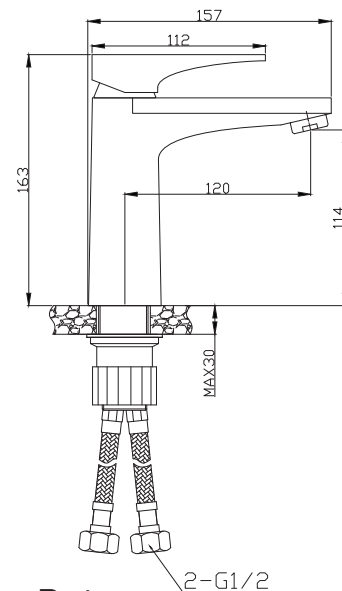
Sanitär Item No. CASE-WB  
CASE 01 49

Material: Brass

Color: Chrome

Colors Options: 

### Dimensional Drawing



### Flow Rate

