

# TECHNICAL DATASHEET



Sanitär

Brass Angle Valve

Ref. : San 72622 7310 216  
SANI 2W41

## Product Description

Brass Angle Valve Full Turn (chrome)

Sanitär Item No. SAN 72622 7310 216  
SANI 2W41

Chrome Plated

Zinc Handle

Water Inlet 1/2"

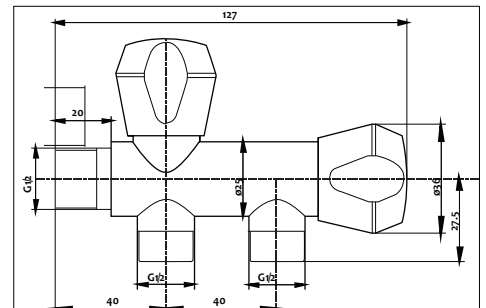
Brass Body

Connector Set 1/2"

Pressure 8 Bar Maxium

Rosette Stainless Steel With Chrome

## Dimensional Drawing



## Flow rate diagram

