

TECHNICAL DATASHEET



Sanitär

Bath Mixer

Ref. : JENNET-BM
SAN JENN 0213 3368

Product Description

Bath Mixer

Sanitär Item No. JENNET-BM
SAN JENN 0213 3368

35 MM, Single handle bath mixer, chrome

Brass body ,zinc handle

WANHAI CARTRIDGE;SS cartridge nut, local normal plastic aerator (no brand);

60 gms brass elbow grams each, s.s wall cover

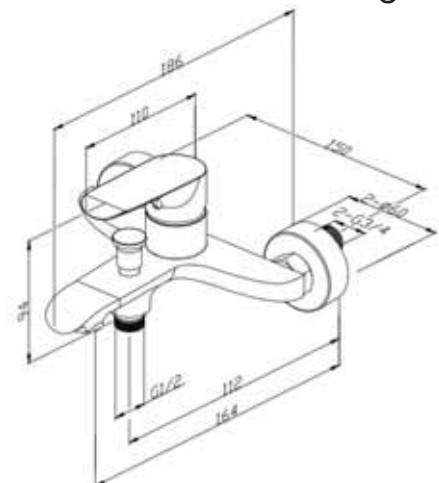
18 gms stainless steel 304 inverted gong,

26 grams brass hexagon nut,

Brass diverter, brass pull nut,

Without shower sets; (hand shower+soft hose+socket)

Dimensional Drawing



Flow Rate

