

TECHNICAL DATASHEET



Sanitär

Bath Mixer

Ref. : COB-BM
SAN 0COB 0213 8336

Product Description

Bath Mixer

Sanitär Item No. COB-BM
SAN 0COB 0213 8336

35 MM, Single handle bath mixer, chrome

Brass body, zinc handle

WANHAI CARTRIDGE; SS cartridge nut, local normal plastic aerator (no brand);

60 gms brass elbow grams each, s.s wall cover

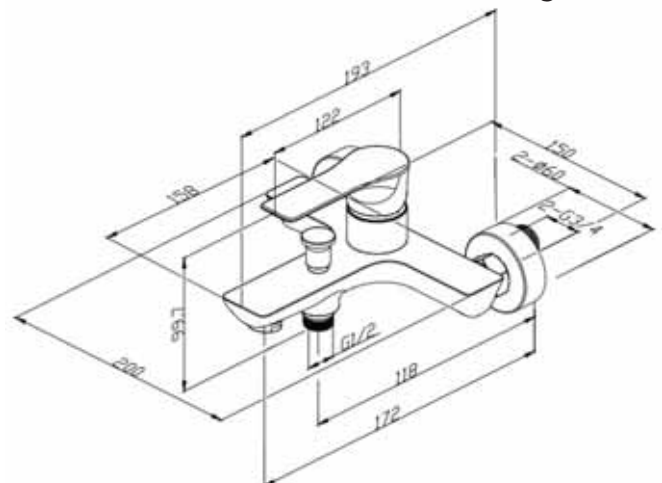
18 gms stainless steel 304 inverted gong,

26 grams brass hexagon nut,

Brass diverter, brass pull nut,

Without shower sets; (hand shower+soft hose+socket)

Dimensional Drawing



Flow Rate

